

**COPYRIGHT INFORMATION:**

J EDWARDS HOME DESIGNS PRODUCTS AND SERVICES ARE PROTECTED BY UNITED STATES COPYRIGHT LAW AND INTERNATIONAL TREATY PROVISIONS. ANY REPRODUCTIONS OR MODIFICATIONS BY MEANS NOW KNOWN OR IN THE FUTURE, WITHOUT THE EXPRESS WRITTEN CONSENT OF J EDWARDS HOME DESIGNS IS STRICTLY PROHIBITED. BY PURCHASING PLANS FROM J EDWARDS HOME DESIGNS YOU ARE GRANTED THE RIGHT TO BUILD THAT HOME ONE TIME (UNLESS OTHERWISE STATED). ONLY THE ORIGINAL PURCHASER HAS THE RIGHT TO BUILD ONE HOME FROM THE PLANS PURCHASED, YOU MAY NOT RENT, LEASE, LOAN, GIVE, TRANSFER OR SELL THE PLANS. A CLIENT MAY PURCHASE PLANS FOR A BUILDER TO BUILD A HOME FOR THE CLIENT.

THESE DRAWINGS/SPECS ARE INSTRUMENTS OF SERVICE AND SHALL REMAIN THE PROPERTY OF THE DESIGNER WHETHER THE PROJECT IS EXECUTED OR NOT. THESE DRAWINGS SHALL NOT BE USED BY THE CLIENT FOR OTHER PROJECTS, FOR ADDITIONS TO THIS PROJECT, OR FOR COMPLETION OF THIS PROJECT BY OTHERS WITHOUT PERMISSION OF THIS DESIGNER.

**ENGINEERING:**

J EDWARDS HOME DESIGNS IS NOT AN ENGINEERING FIRM, WE DO NOT QUALIFY TO BE ONE, NOR ARE WE LICENSED TO DESIGN STRUCTURAL FRAMING, WINDBRACING OR FOUNDATIONS. A LICENSED PROFESSIONAL ENGINEER SHOULD BE CONTRACTED AND CONSULTED REGARDING FRAMING, WINDBRACING AND FOUNDATION DESIGNS. SHOULD AN ENGINEER SEAL BE PRESENT ON THESE DRAWINGS, THE ENGINEER OF RECORD SHALL BEAR ALL RESPONSIBILITY FOR THE STRUCTURE, WINDBRACING AND FOUNDATION DESIGNS FOR THIS PROJECT. J EDWARDS HOME DESIGNS IS NOT HELD RESPONSIBLE FOR THE STRUCTURAL DESIGN IN ANY WAY MATTER OR FORM IF ANY PROBLEMS ARISE.

**GENERAL PROJECT NOTES:**

1. THESE CONSTRUCTION DOCUMENTS ARE INTENDED TO MEET ALL APPLICABLE CODES AND ORDINANCES. CONTRACTOR TO COMPLY WITH ALL LOCAL CODES, ORDINANCES AND DEED RESTRICTIONS. CONTRACTOR SHALL ALSO REQUIRE ALL SUBCONTRACTORS TO COMPLY WITH THESE REGULATIONS.
2. ANY DISCREPANCIES IN CONSTRUCTION DOCUMENTS OR NONCOMPLIANCE TO BE BROUGHT TO THE ATTENTION OF THE DESIGNER PRIOR TO ANY WORK BEING PERFORMED OR MATERIALS BEING ORDERED.
3. BUILDER ACCEPTS FULL RESPONSIBILITY FOR CHECKING PLANS TO ASSURE CONFORMITY TO CURRENT LOCAL BUILDING CODES. SHOULD ANY CHANGES BE MADE TO THESE PLANS BY BUILDER OR HIS REPRESENTATIVES WITHOUT CONTACTING THE DESIGNER, THE BUILDER WILL ACCEPT FULL LIABILITY FOR AMENDED PLANS.
4. WHILE THESE DRAWINGS ARE INTENDED TO SHOW SAME, THE DESIGNER IS NOT RESPONSIBLE FOR GOVERNING AUTHORITY INTERPRETATIONS WHERE THOSE INTERPRETATIONS CONFLICT WITH THESE DRAWINGS &/OR SPECS.
5. DESIGNER ASSUMES NO RESPONSIBILITY FOR ANY ERRORS OR NEGLIGENCE MADE BY ROOFING CONTRACTOR, CONCERNING FLASHING & WATER PROOFING ON THIS PROJECT
6. THESE DOCUMENTS DO NOT SHOW TYPICAL DETAILING &/OR WATERPROOFING.
7. THESE DOCUMENTS DO NOT SPECIFY ACTUAL PRODUCTS OR MATERIAL SELECTIONS. CONTRACTOR ACCEPTS FULL RESPONSIBILITY FOR APPROPRIATE AND PROPER DETAILING FOR AND BETWEEN ALL ACTUAL PRODUCTS/MATERIALS SELECTED WHEN INSTALLED.
8. ALL COMPONENTS, MATERIALS, ASSEMBLIES AND FINISHES TO BE CONSTRUCTED AND INSTALLED PER MANUFACTURER'S RECOMMENDATIONS, CODE REQUIREMENTS AND REGULATED BUILDING PRACTICES.
9. DESIGNER IS NOT RESPONSIBLE FOR MEANS AND METHODS OF CONSTRUCTION WHICH ARE NOT DETAILED IN THESE CONSTRUCTION DOCUMENTS. CONTRACTOR WILL BE RESPONSIBLE FOR ALL ASPECTS OF CONSTRUCTION INCLUDING BUT NOT LIMITED TO ALL WATER AND DAMP PROOFING, LOAD CONNECTIONS AND MECHANIC, ELECTRICAL AND PLUMBING SYSTEMS.
10. ALL MATERIALS AND LABOR TO BE GUARANTEED FOR ONE YEAR FROM THE DATE OF FINAL PAYMENT, IN ADDITION TO ALL WARRANTIES THAT ARE STANDARD TO THE INDUSTRY. CONTRACTOR TO PROVIDE (SUPPLY AND INSTALL) ALL EQUIPMENT, LABOR SERVICES, AND MATERIALS REQUIRED FOR THE COMPLETE APPROVED INSTALLATION OF THE SYSTEMS CALLED FOR.
11. THESE DRAWINGS DO NOT INCLUDE NECESSARY COMPONENTS FOR CONSTRUCTION SAFETY. THE CONTRACTOR IS RESPONSIBLE FOR INITIATING, MAINTAINING AND SUPERVISING ALL SAFETY PRECAUTIONS AND PROGRAMS NECESSARY FOR COMPLETION OF WORK.
12. ALL DIMENSIONS TO BE VERIFIED IN THE FIELD. REPORT ANY AND ALL DISCREPANCIES, ERRORS OR OMISSIONS TO THE DESIGNER PRIOR TO COMMENCING WORK AND/OR ORDERING MATERIALS. MINOR DEVIATIONS, SUBJECT TO CONSTRUCTION REQUIREMENTS AND FIELD CONDITIONS, CAN BE EXPECTED.
13. UNDER NO CIRCUMSTANCES SHALL ANY DIMENSION BE SCALED FROM THESE DRAWINGS. ANY CRUCIAL DIMENSION NOT GIVEN SHALL BE BROUGHT TO THE ATTENTION OF THE DESIGNER.
14. ALL DIMENSIONS SHOWN ON PLAN ARE TO THE STRUCTURAL FACE OF WALL AND DO NOT INCLUDE WALL FINISHES OR FURRING.
15. THE CONTRACTOR SHALL GIVE NOTICE TO ALL AUTHORIZED INSPECTORS, SUPERINTENDENTS OR PERSONS IN CHARGE OF UTILITIES AFFECTED BY HIS OPERATIONS PRIOR TO COMMENCING WORK.
16. THE CONTRACTOR IS TO FILE FOR, AND SECURE ALL APPROVALS, PERMITS, TESTS, INSPECTIONS AND CERTIFICATES OF COMPLIANCE AS REQUIRED. THE CONTRACTOR IS RESPONSIBLE FOR ASSURING THAT ALL PERMITS NECESSARY TO LEGALLY PERFORM THE WORK HAVE BEEN OBTAINED PRIOR TO COMMENCING CONSTRUCTION.
17. VERIFY EXISTING CONDITIONS AND DIMENSIONS PRIOR TO CONSTRUCTION START.
18. IN CASE OF DISCREPANCIES OR CONFLICTS ON THE DRAWINGS AND SPECIFICATIONS, OR BETWEEN THE DRAWINGS AND THE EXISTING CONDITIONS, CONTACT THE DESIGNER OR OWNER BEFORE PROCEEDING WITH THE WORK.
19. FINAL SELECTIONS FOR ALL FINISHES, FINISH MATERIALS, COLORS, TEXTURES, ETC. SHALL BE MADE BY THE BUILDER OR OWNER.
20. ALL WINDOWS WITHIN 24" OF AN EXTERIOR OR INTERIOR DOOR TO BE TEMPERED GLASS. WINDOW MANUFACTURER TO VERIFY FOR ALL TEMPERED GLASS LOCATIONS AS PER APPLICABLE CODE.
21. WINDOW MANUFACTURER & BUILDER TO VERIFY EGRESSIBLE WINDOWS INSTALLED WHERE REQUIRED BY CODE.
22. WINDOW SIZES GIVEN ARE APPROXIMATE UNIT SIZES, VERIFY ACTUAL SIZES, AND ROUGH OPENING REQUIREMENTS WITH WINDOW MANUFACTURER.
23. PROVIDE BLOCKING FOR CEILING FANS WHERE SPECIFIED.
24. PROVIDE ELECTRIC FOR POOL &/OR SPA EQUIP. & LIGHTS. PROVIDE NECESSARY PLUMBING FOR POOL &/OR SPA. VERIFY LOCATION WITH BUILDER OR OWNER. BUILDER TO VERIFY SIZING AND LOCATION OF ALL APPLIANCES & RELATED COMPONENTS.
25. WEATHERSTRIP ATTIC ACCESS DOOR(S).
26. CONTRACTOR TO PROVIDE A 3/4" PLYWOOD CATWALK FROM ATTIC ACCESS TO HVAC UNITS (IF APPLICABLE). UNITS TO BE LOCATED WITHIN 20'-0" OF ACCESS. PROVIDE 1 S.F. NET FREE AREA OF ATTIC VENTILATION PER 150 S.F. OF TOTAL COVERED ROOF AREA AS PER CODE.
27. PROVIDE CONTROL AND EXPANSION JOINTS AS REQUIRED ON CONCRETE DRIVES, WALKS PATIOS AND STUCCO WALLS
28. PROVIDE WEATHERSEAL AND A 9 1/2" MASONRY DOOR SILL AT ALL EXTERIOR DOOR THRESHOLDS.
29. ALL WALLS OVER 10'-0" IN HEIGHT TO BE FRAMED WITH 2x6 STUDS. IF WALLS OVER 10'-0" IN HEIGHT ARE NOT BUILT WITH 2X6 STUDS THEY MUST BE BUILT WITH DOUBLE 2X4 STUDS AT 12" O.C.
30. THE DROP FROM INTERIOR FINISH FLOOR TO ANY EXTERIOR FINISH FLOOR IS TO BE A MINIMUM OF 1 1/2". CONTRACTOR TO VERIFY MATERIALS USED FOR DECK CONSTRUCTION AND FINISH FLOORING TO MAINTAIN MINIMUM DROP. THE STANDARD MOUNTING HEIGHT FOR SHOWER HEADS IS 7'-0" ABOVE FINISH FLOOR UNLESS NOTED OTHERWISE.
31. PROVIDE BLOCKING FOR HANDRAIL MOUNTING AT STAIRS AS NECESSARY.
32. ALL FIREPLACES TO HAVE 20" DEEP HEARTH & 12" NON-COMBUSTIBLE SURROUND
33. ALL OVERHANGS TO BE 18" FROM THE FRAME WALL UNLESS NOTED OTHERWISE.
34. U.N.O. ALL INTERIOR WALLS OF ONE STORY PLANS TO BE LOAD BEARING.
35. ALL EXTERIOR OPENINGS TO BE LOAD BEARING.
36. WHEN ENGINEERED TRUSSES TO BE USED TRUSS DESIGN & SPACING TO BE PER ENGINEER'S SPECIFICATIONS.
37. THE DESIGN & SIZING OF ALL LOAD BEARING HEADERS, STRUCTURAL BEAMS AND TRUSSES IS THE RESPONSIBILITY OF THE AGENT (ENGINEER/TRUSS MANUFACTURER, ETC.) CHOSEN BY THE BUILDER/OWNER TO DO SAID DESIGN.
38. ALL PLUMBING, APPLIANCE AND GAS VENTS TO BE GANGED TO THE FEWEST NUMBER POSSIBLE PENETRATING THE ROOF AND KEPT TO REAR OF ROOF WHEREVER POSSIBLE.
39. CHIMNEY/FLUE SHOWN AT MINIMUM DIMENSIONAL HEIGHT REQUIREMENTS PER CODE. BUILDER RESPONSIBLE FOR CONSTRUCTING CHIMNEY/FLUE TO ENSURE PROPER DRAW FOR FIREPLACE BASED ON HOUSE & SITE ORIENTATION VERSUS PREVAILING WINDS.
40. CHIMNEY CAP TO BE BUILT WITH NON COMBUSTIBLE MATERIALS.
41. LAVATORIES AND SINKS SHOWN ARE NOT ACTUAL FIXTURE. CHECK WITH BUILDER/DESIGNER/OWNER FOR ACTUAL FIXTURE STYLE AND SIZE.
42. APPLIANCE DIMENSIONS MAY VARY. CHECK WITH BUILDER FOR EXACT DIMENSIONS.
43. PROVIDE VENT HOLES AS REQUIRED FOR AIR CIRCULATION OF IN-CABINET COMPUTER EQUIPMENT.
44. TOP & SPLASH MATERIAL AT ALL CABINETS TO BE AS PER SPECS.
45. CROWN MOLDING, INTERIOR WINDOW/DOOR TRIM, BASEBOARD & TILE SHOWN TO BE PER OWNER &/OR INTERIOR DESIGNER.
46. ALL WORK DONE UNDER THIS SECTION SHALL COMPLY WITH THE CURRENT NATIONAL ELECTRICAL CODE AND LOCAL CODE REGULATIONS. THE CONTRACTOR SHALL PERFORM ALL WORK IN CONFORMITY WITH THESE REGULATIONS WHETHER OR NOT SUCH WORK IS SPECIFICALLY SHOWN ON DRAWINGS.
47. ELECTRICAL SUBCONTRACTOR TO MAKE ALL NECESSARY ELEC. CONNECTIONS AND BE RESPONSIBLE FOR ALL ELECTRICAL SERVICE AT MECHANICAL ROOM. ELECTRICAL CONTRACTOR TO COORDINATE AS REQUIRED WITH MECHANICAL SUBCONTRACTOR.
48. THE CONTRACTOR SHALL BE RESPONSIBLE FOR INSPECTION AND APPROVAL OF WIRING, INSTALLATION OF FIXTURES AND EQUIPMENT, AND FOR FINAL ACCEPTANCE OF THE COMPLETE ELECTRICAL INSTALLATIONS BY THE UNDERWRITERS AND BY LOCAL ELECTRICAL INSPECTORS.
49. COORDINATE WITH CONSTRUCTION SPECIFICATIONS FOR ANY APPLICABLE ALLOWANCES FOR ELECTRICAL.
50. PREWIRE FOR SECURITY SYSTEM PER OWNERS REQUEST.
51. SUPPLY 220v & 110v OR GAS & 110v TO HVAC UNIT(S) IN ATTIC. (REFER TO SPECS) PROVIDE POWER AS REQD. AT A/C COMPRESSOR UNITS.
52. PROVIDE FOR LIGHT NEAR HVAC UNIT(S) IN ATTIC.
53. PROVIDE ELECTRIC FOR POOL &/OR SPA EQUIP. & LIGHTS. PROVIDE ELECTRIC AND SWITCHING FOR LANDSCAPE LIGHTING, FOUNTAINS, ETC. VERIFY LOCATION WITH BUILDER OR OWNER.
54. SMOKE DETECTORS SHOULD BE LOCATED IN EACH BEDROOM AND AS SHOWN. ALL SMOKE DETECTORS SHALL BE HARD WIRED TO PRIMARY ELECTRICAL SERVICES WITH BATTERY BACKUP.
55. ALL CONSTRUCTION SHALL CONFORM TO ALL LOCAL BUILDING CODES.
56. ALL DIMENSIONS SHOWN ON FLOOR PLAN ARE FROM FACE OF STUDS AND/ OR STONE VENEER UNLESS OTHERWISE NOTED.
57. CONTRACTOR SHALL NOTIFY DESIGNER UPON DISCOVERY OF ANY ERRORS OR DISCREPANCY OF DIMENSIONS, CLEARANCES, OR OTHER ITEMS AS SHOWN OR NOTED IN THESE DRAWINGS.
58. COORDINATE ALL WINDOW SIZES AND LOCATIONS AS NOTED ON FLOOR PLAN WITH SELECTED ELEVATION OPTIONS.
59. HVAC SYSTEM SHALL BE DESIGNED BY MECHANICAL SUB-CONTRACTOR AND APPROVED BY DESIGNER OR GENERAL CONTRACTOR. SYSTEM SHALL HAVE A S.E.E.R. RATING OF 14 OR AS REQUIRED BY LOCAL BUILDING CODES. UNITS SHALL BE DESIGNED WITH TWO ZONES AS DIRECTED BY CONTRACTOR. PROVIDE ALL SUCTION LINES FROM UNITS TO EXTERIOR CONDENSOR UNITS AS INDICATED ON SITE PLAN. PROVIDE 4" THICK CONCRETE PADS WITH 6X6X10 WWF REINFORCING. LOCATE AIR HANDLING UNITS IN ATTIC SPACE NEAR RETURN AIR CHASES AS INDICATED ON THE FLOOR PLAN.
60. FOUNDATION PLAN TO BE DESIGNED BY A QUALIFIED ENGINEER.
61. PROVIDE ATTIC VENTING AS REQUIRED BY LOCAL CODES.

**FINAL**

**EVERVIEW**  
H O M E S

BUILDER:

1315 PROSPECT  
HORSESHOE BAY, TX 78657  
LOT 20025

**EVERVIEW HOMES**

**J EDWARDS**  
HOME DESIGNS  
JULIE EDWARDS  
210.649.8840  
JEDWARDSHOMESDESIGN@GMAIL.COM

DESIGNER:

**DATE:**

**5/11/2021**

**SCALE:**

**1/4" = 1'**

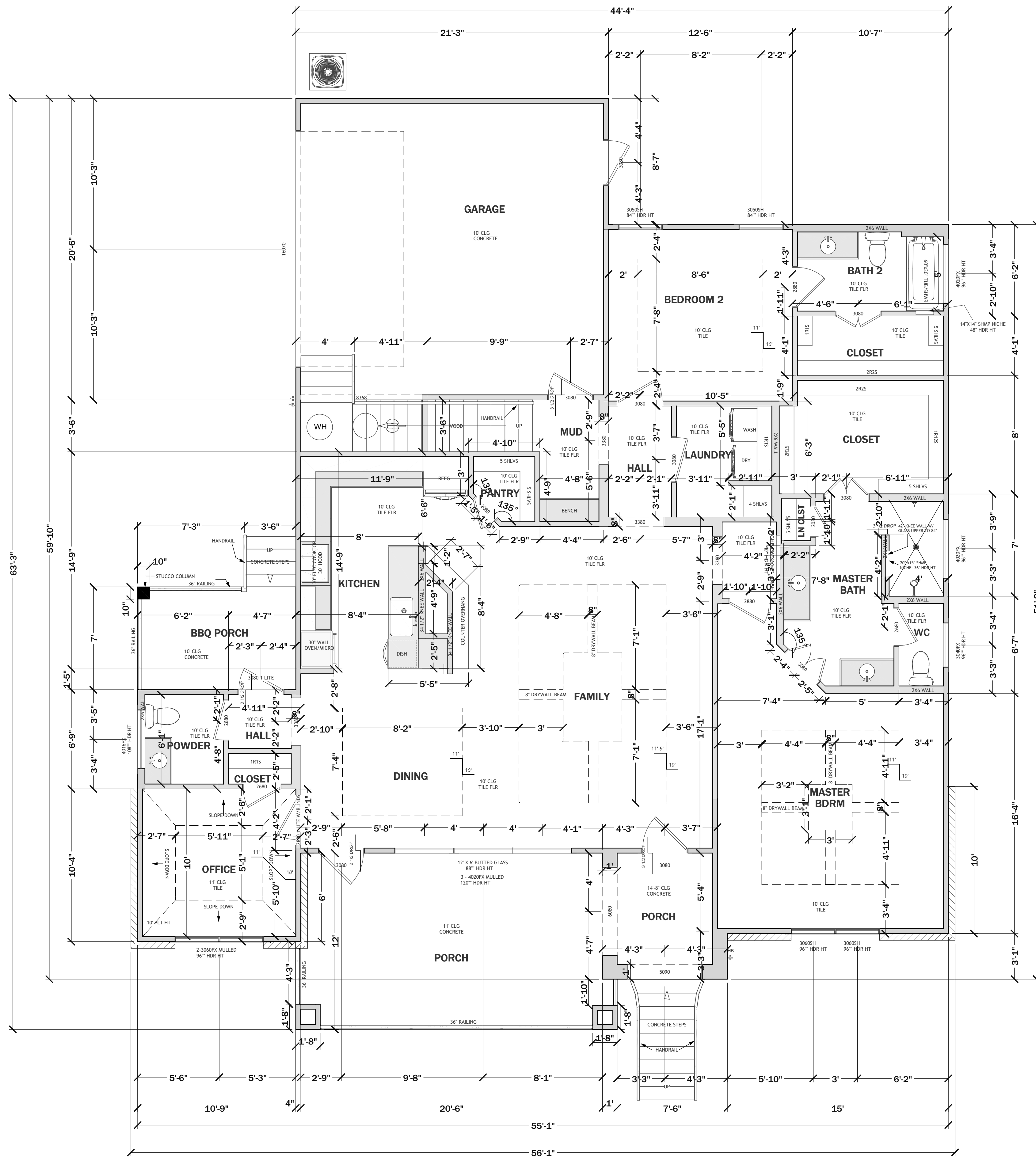
**SHEET:**

**1**

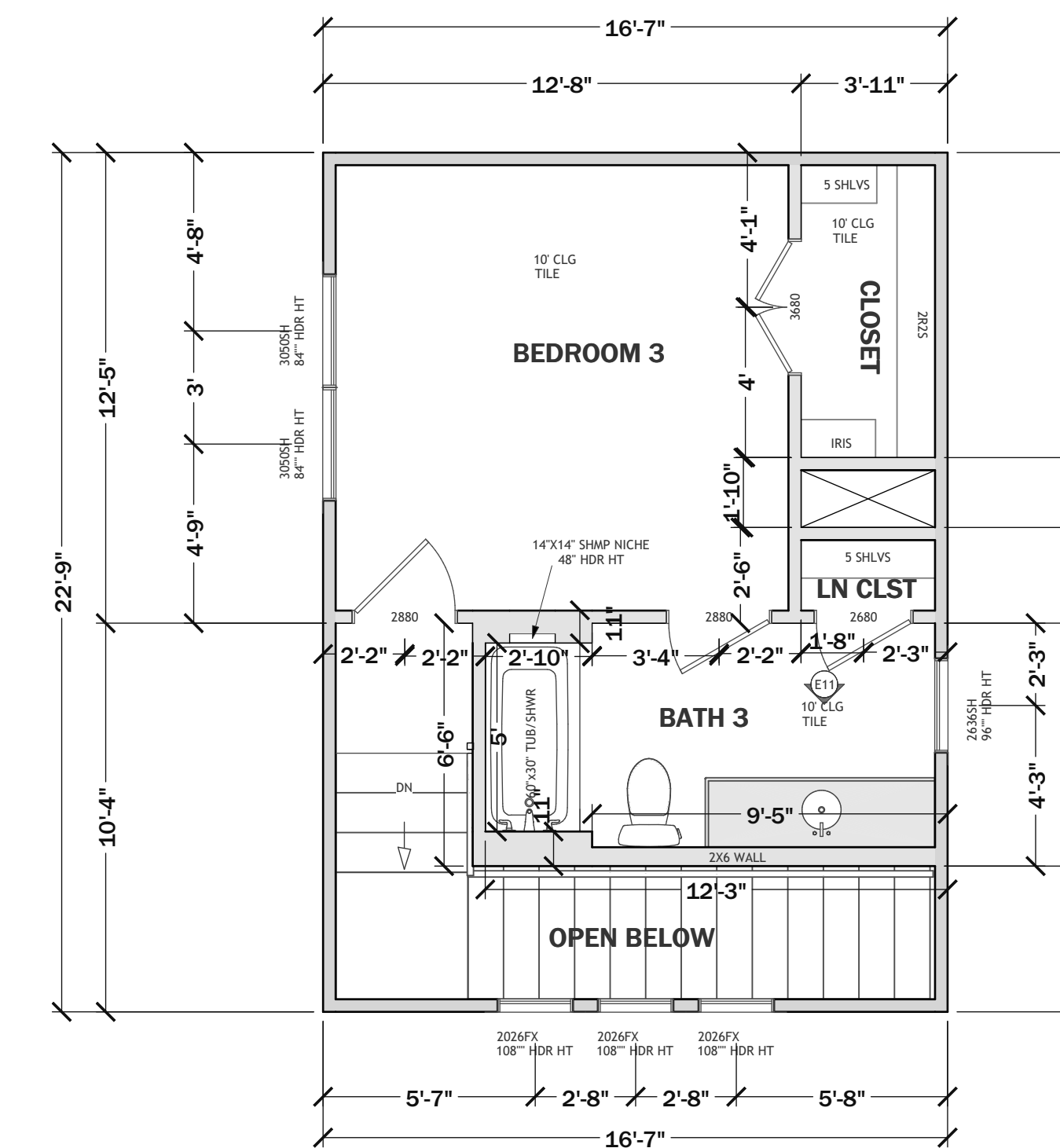
COPYRIGHT INFORMATION:

J EDWARDS HOME DESIGNS PRODUCTS AND SERVICES ARE PROTECTED BY UNITED STATES COPYRIGHT LAW AND INTERNATIONAL TREATY PROVISIONS. ANY REPRODUCTIONS OR MODIFICATIONS BY MEANS NOW KNOWN OR IN THE FUTURE, WITHOUT THE EXPRESS WRITTEN CONSENT OF J EDWARDS HOME DESIGNS IS STRICTLY PROHIBITED. BY PURCHASING PLANS FROM J EDWARDS HOME DESIGNS YOU ARE GRANTED THE RIGHT TO BUILD THAT HOME ONE TIME (UNLESS OTHERWISE STATED). ONLY THE ORIGINAL PURCHASER HAS THE RIGHT TO BUILD ONE HOME FROM THE PLANS PURCHASED. YOU MAY NOT RENT, LEASE, LOAN, GIVE, TRANSFER OR SELL THE PLANS. A CLIENT MAY PURCHASE PLANS FOR A BUILDER TO BUILD A HOME FOR THE CLIENT.

THESE DRAWINGS/SPECS ARE INSTRUMENTS OF SERVICE AND SHALL REMAIN THE PROPERTY OF THE DESIGNER WHETHER THE PROJECT IS EXECUTED OR NOT. THESE DRAWINGS SHALL NOT BE USED BY THE CLIENT FOR OTHER PROJECTS, FOR ADDITIONS TO THIS PROJECT, OR FOR COMPLETION OF THIS PROJECT BY OTHERS WITHOUT PERMISSION OF THIS DESIGNER.



FIRST FLOOR



SECOND FLOOR

BUILDING AREA:

FIRST FLOOR (AC):	1892 SF
SECOND FLOOR (AC):	301 SF
ENTRY PORCH:	63 SF
FRONT PORCH:	256 SF
BBQ PORCH:	75 SF
GARAGE:	426 SF
BRICK LUG:	54 SF

TOTAL LIVABLE:	2193 SF
TOTAL SLAB:	2766 SF

FINAL

EVERVIEW  
HOMES

1315 PROSPECT  
HORSESHOE BAY, TX 78657  
LOT 20025

EVERVIEW HOMES

J EDWARDS  
HOME DESIGNS  
JULIE EDWARDS  
210.649.8843  
JEDWARDSHOMES@GMAIL.COM

DESIGNER:

DATE:

5/11/2021

SCALE:

1/4" = 1'

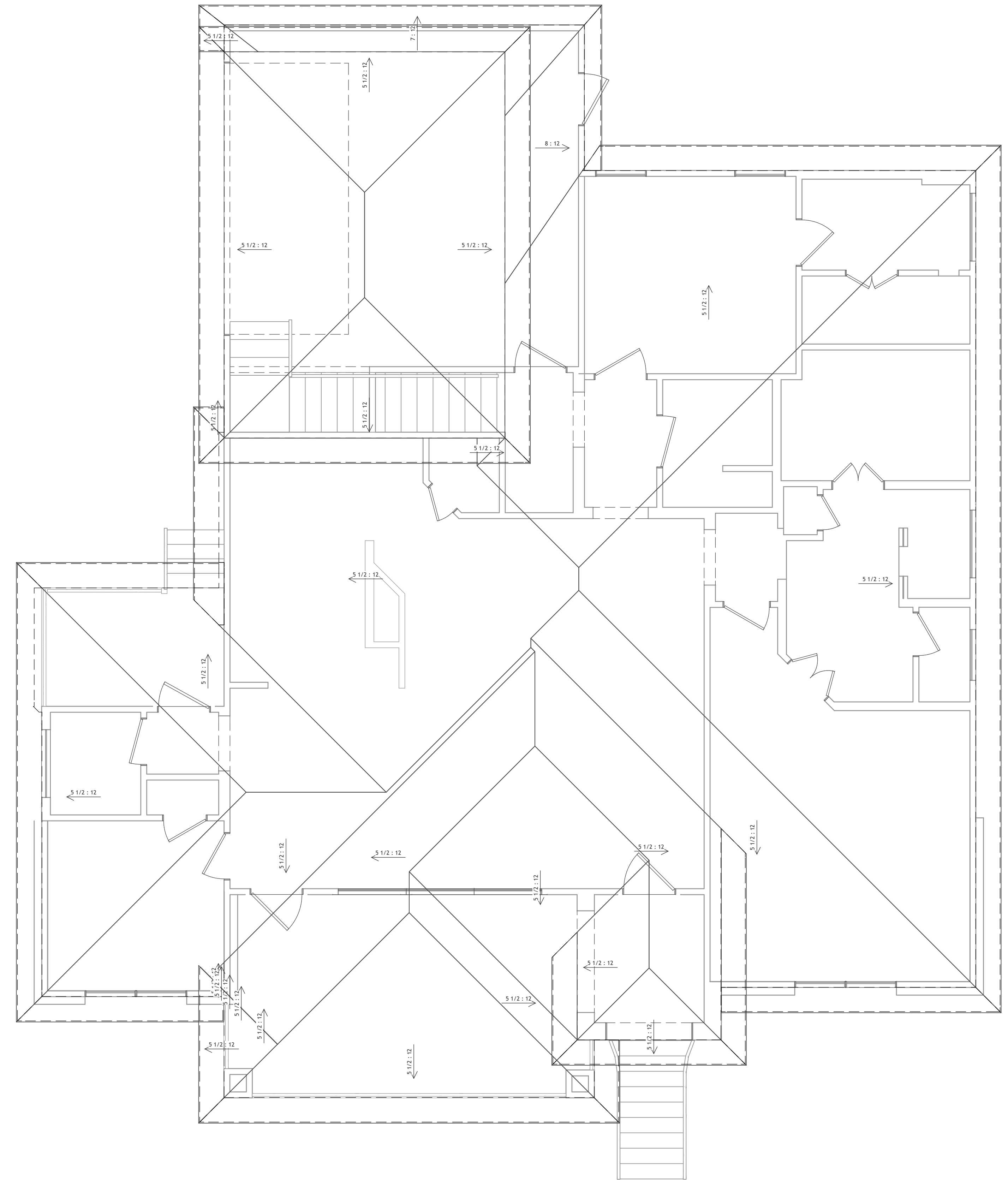
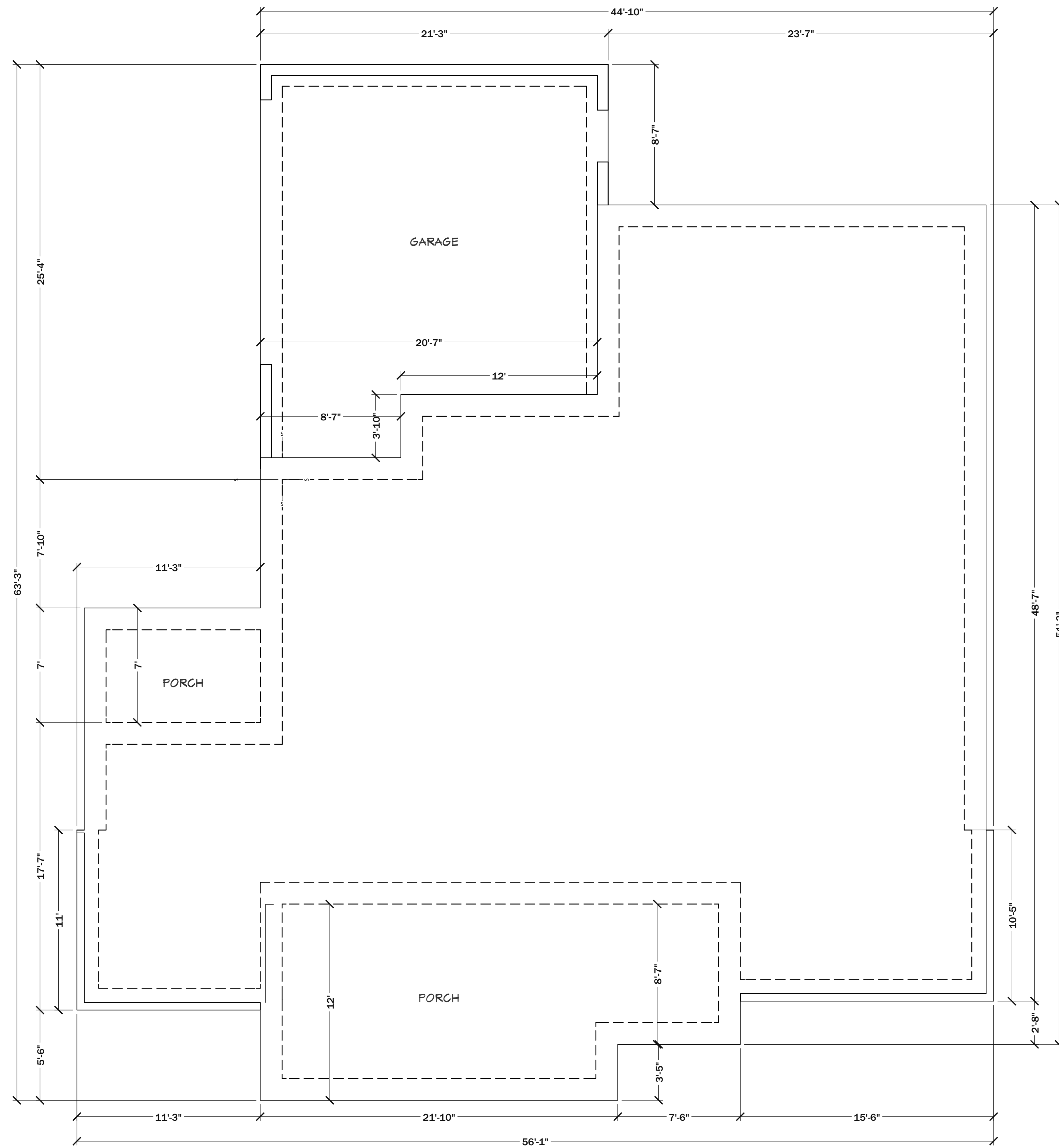
SHEET:

2

COPYRIGHT INFORMATION:

J EDWARDS HOME DESIGNS PRODUCTS AND SERVICES ARE PROTECTED BY UNITED STATES COPYRIGHT LAW AND INTERNATIONAL TREATY PROVISIONS. ANY REPRODUCTIONS OR MODIFICATIONS BY MEANS NOW KNOWN OR IN THE FUTURE, WITHOUT THE EXPRESS WRITTEN CONSENT OF J EDWARDS HOME DESIGNS IS STRICTLY PROHIBITED. BY PURCHASING PLANS FROM J EDWARDS HOME DESIGNS YOU ARE GRANTED THE RIGHT TO BUILD THAT HOME ONE TIME (UNLESS OTHERWISE STATED). ONLY THE ORIGINAL PURCHASER HAS THE RIGHT TO BUILD ONE HOME FROM THE PLANS PURCHASED, YOU MAY NOT RENT, LEASE, LOAN, GIVE, TRANSFER OR SELL THE PLANS. A CLIENT MAY PURCHASE PLANS FOR A BUILDER TO BUILD A HOME FOR THE CLIENT.

THESE DRAWINGS/SPECS ARE INSTRUMENTS OF SERVICE AND SHALL REMAIN THE PROPERTY OF THE DESIGNER WHETHER THE PROJECT IS EXECUTED OR NOT. THESE DRAWINGS SHALL NOT BE USED BY THE CLIENT FOR OTHER PROJECTS, FOR ADDITIONS TO THIS PROJECT, OR FOR COMPLETION OF THIS PROJECT BY OTHERS WITHOUT PERMISSION OF THIS DESIGNER.



FINAL

EVERVIEW  
HOMES

BUILDER:

1315 PROSPECT  
HORSESHOE BAY, TX 78657  
LOT 20025

EVERVIEW HOMES

EDWARDS  
HOME DESIGNS  
JULIE EDWARDS  
210.649.8843  
JEDWARDSHOMES@GMAIL.COM

DESIGNER:

DATE:  
5/11/2021

SCALE:  
1/4" = 1'

SHEET:

3

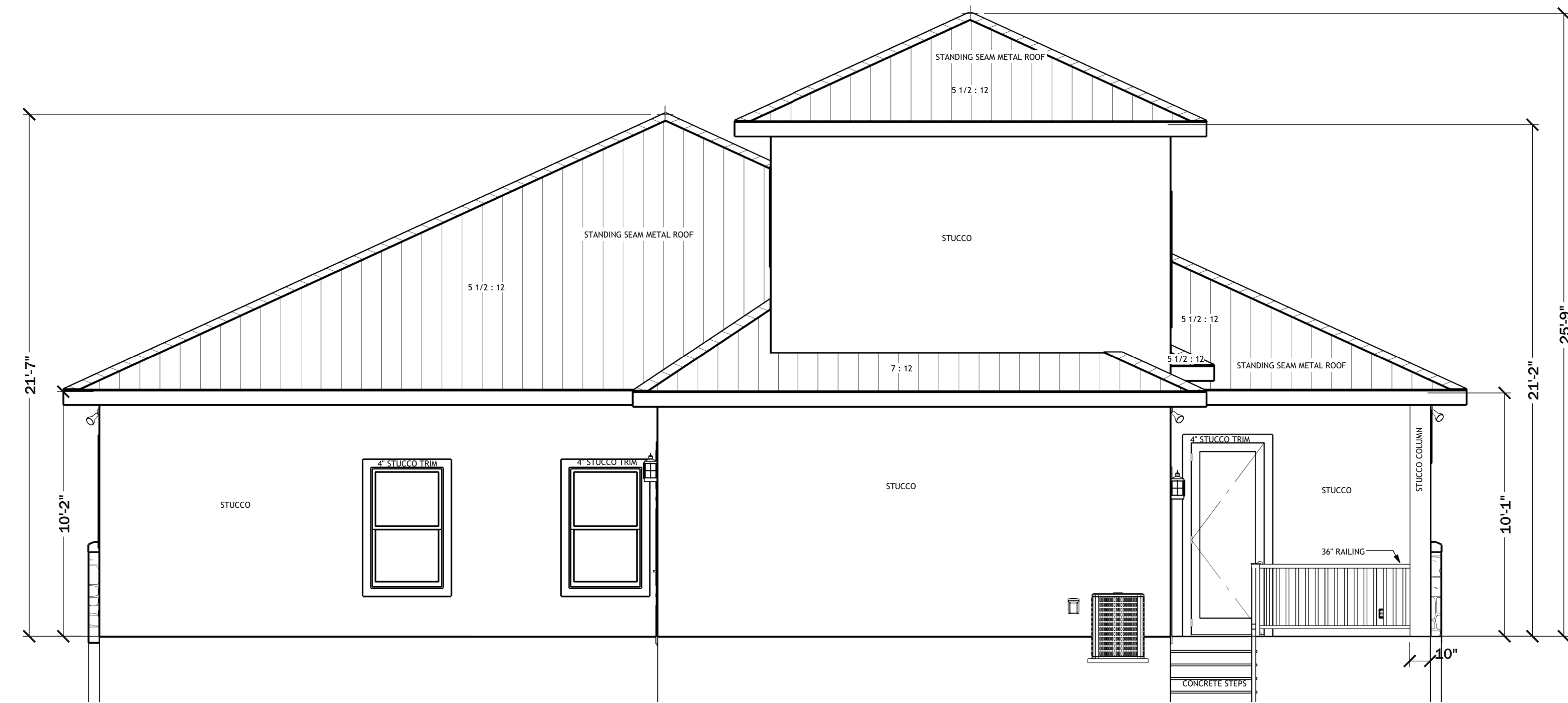
COPYRIGHT INFORMATION:

J EDWARDS HOME DESIGNS PRODUCTS AND SERVICES ARE PROTECTED BY UNITED STATES COPYRIGHT LAW AND INTERNATIONAL TREATY PROVISIONS. ANY REPRODUCTIONS OR MODIFICATIONS BY MEANS NOW KNOWN OR IN THE FUTURE, WITHOUT THE EXPRESS WRITTEN CONSENT OF J EDWARDS HOME DESIGNS IS STRICTLY PROHIBITED. BY PURCHASING PLANS FROM J EDWARDS HOME DESIGNS YOU ARE GRANTED THE RIGHT TO BUILD THAT HOME ONE TIME (UNLESS OTHERWISE STATED). ONLY THE ORIGINAL PURCHASER HAS THE RIGHT TO BUILD ONE HOME FROM THE PLANS PURCHASED, YOU MAY NOT RENT, LEASE, LOAN, GIVE, TRANSFER OR SELL THE PLANS. A CLIENT MAY PURCHASE PLANS FOR A BUILDER TO BUILD A HOME FOR THE CLIENT.

THESE DRAWINGS/SPECS ARE INSTRUMENTS OF SERVICE AND SHALL REMAIN THE PROPERTY OF THE DESIGNER WHETHER THE PROJECT IS EXECUTED OR NOT. THESE DRAWINGS SHALL NOT BE USED BY THE CLIENT FOR OTHER PROJECTS, FOR ADDITIONS TO THIS PROJECT, OR FOR COMPLETION OF THIS PROJECT BY OTHERS WITHOUT PERMISSION OF THIS DESIGNER.



FRONT ELEVATION



REAR ELEVATION

FINAL

EVERVIEW  
HOMES

BUILDER:

1315 PROSPECT  
HORSESHOE BAY, TX 78657  
LOT 20025

EVERVIEW HOMES

J EDWARDS  
HOME DESIGNS  
JULIE EDWARDS  
210.649.8843  
JEDWARDSHOMESDESIGNS@GMAIL.COM

DESIGNER:

DATE:

5/11/2021

SCALE:

1/4" = 1'

SHEET:

4

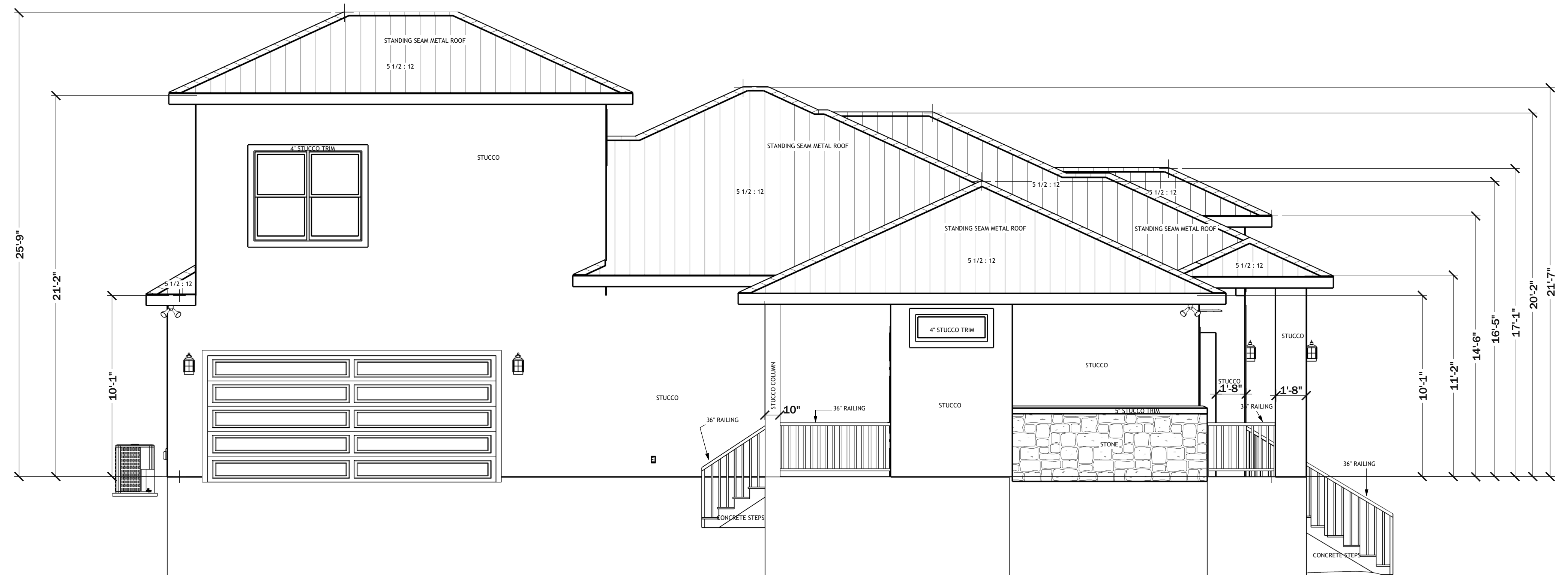
COPYRIGHT INFORMATION:

J EDWARDS HOME DESIGNS PRODUCTS AND SERVICES ARE PROTECTED BY UNITED STATES COPYRIGHT LAW AND INTERNATIONAL TREATY PROVISIONS. ANY REPRODUCTIONS OR MODIFICATIONS BY MEANS NOW KNOWN OR IN THE FUTURE, WITHOUT THE EXPRESS WRITTEN CONSENT OF J EDWARDS HOME DESIGNS IS STRICTLY PROHIBITED. BY PURCHASING PLANS FROM J EDWARDS HOME DESIGNS YOU ARE GRANTED THE RIGHT TO BUILD THAT HOME ONE TIME (UNLESS OTHERWISE STATED). ONLY THE ORIGINAL PURCHASER HAS THE RIGHT TO BUILD ONE HOME FROM THE PLANS PURCHASED, YOU MAY NOT RENT, LEASE, LOAN, GIVE, TRANSFER OR SELL THE PLANS. A CLIENT MAY PURCHASE PLANS FOR A BUILDER TO BUILD A HOME FOR THE CLIENT.

THESE DRAWINGS/SPECS ARE INSTRUMENTS OF SERVICE AND SHALL REMAIN THE PROPERTY OF THE DESIGNER WHETHER THE PROJECT IS EXECUTED OR NOT. THESE DRAWINGS SHALL NOT BE USED BY THE CLIENT FOR OTHER PROJECTS, FOR ADDITIONS TO THIS PROJECT, OR FOR COMPLETION OF THIS PROJECT BY OTHERS WITHOUT PERMISSION OF THIS DESIGNER.



RIGHT ELEVATION



LEFT ELEVATION

FINAL

EVERVIEW  
HOMES

1315 PROSPECT  
HORSESHOE BAY, TX 78657  
LOT 20025

EVERVIEW HOMES

J EDWARDS  
HOME DESIGNS  
JULIE EDWARDS  
210.649.8843  
JEDWARDSHOMES@GMAIL.COM

DESIGNER:

DATE:

5/11/2021

SCALE:

1/4" = 1'

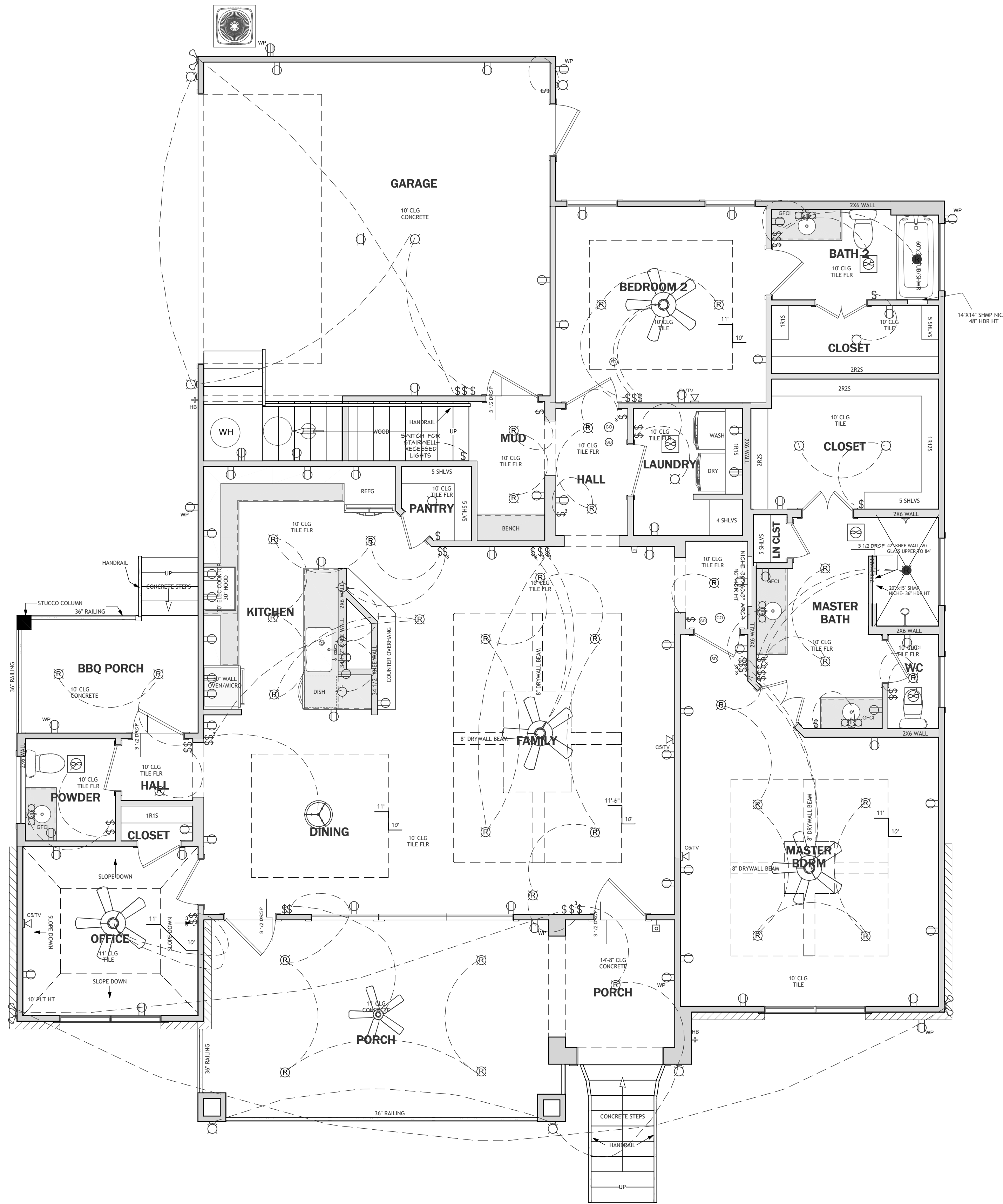
SHEET:

5

COPYRIGHT INFORMATION:

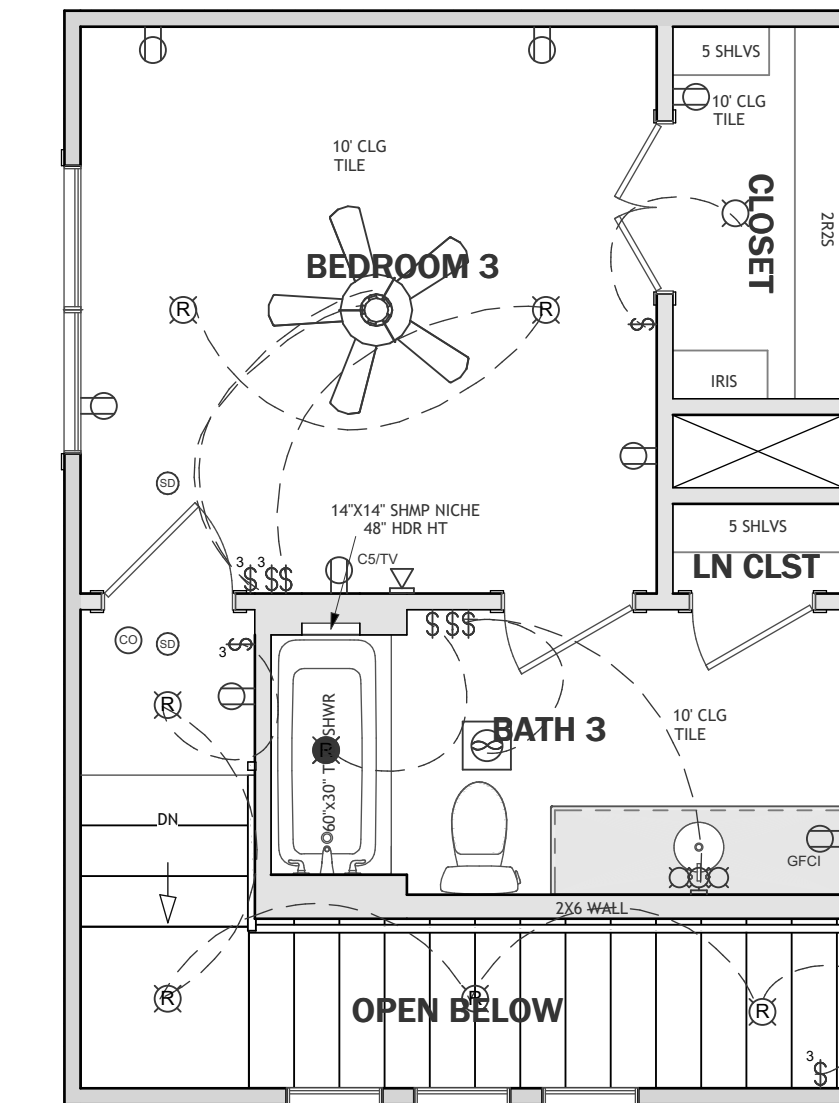
J EDWARDS HOME DESIGNS PRODUCTS AND SERVICES ARE PROTECTED BY UNITED STATES COPYRIGHT LAW AND INTERNATIONAL TREATY PROVISIONS. ANY REPRODUCTIONS OR MODIFICATIONS BY MEANS NOW KNOWN OR IN THE FUTURE, WITHOUT THE EXPRESS WRITTEN CONSENT OF J EDWARDS HOME DESIGNS IS STRICTLY PROHIBITED. BY PURCHASING PLANS FROM J EDWARDS HOME DESIGNS YOU ARE GRANTED THE RIGHT TO BUILD THAT HOME ONE TIME (UNLESS OTHERWISE STATED). ONLY THE ORIGINAL PURCHASER HAS THE RIGHT TO BUILD ONE HOME FROM THE PLANS PURCHASED. YOU MAY NOT RENT, LEASE, LOAN, GIVE, TRANSFER OR SELL THE PLANS. A CLIENT MAY PURCHASE PLANS FOR A BUILDER TO BUILD A HOME FOR THE CLIENT.

THESE DRAWINGS/SPECS ARE INSTRUMENTS OF SERVICE AND SHALL REMAIN THE PROPERTY OF THE DESIGNER WHETHER THE PROJECT IS EXECUTED OR NOT. THESE DRAWINGS SHALL NOT BE USED BY THE CLIENT FOR OTHER PROJECTS, FOR ADDITIONS TO THIS PROJECT, OR FOR COMPLETION OF THIS PROJECT BY OTHERS WITHOUT PERMISSION OF THIS DESIGNER.



ELECTRICAL - 1ST FLOOR

ZD SYMBO L	LABEL	QTY
	FLUSH MOUNT LIGHT	7
	220V	3
	220V WEATHERPROOF	1
	CAT5 W/ TV	5
	CO DETECTOR	3
	CARRIAGE LIGHT	6
	CEILING FAN	1
	CEILING FAN W/ LIGHT FIXTURE	5
	DC DOOR CHIME	1
	DOORBELL	1
	DUPLEX	60
	DUPLEX (WEATHERPROOF)	7
	DUPLEX OUTLET, CEILING MOUNTED	1
	EXHAUST	6
	GFCI	6
	HANGING LIGHT	1
	PENDANT LIGHT	3
	RECESSED DOWN LIGHT 6"	40
	RECESSED VAPOR LIGHT	3
	SINGLE POLE	39
	SD SMOKE DETECTOR	6
	SPOT LIGHT	3
	THREE WAY	18
	VANITY LIGHT	5



ELECTRICAL - SECOND FLOOR

FINAL

EVERVIEW  
HOMES

1315 PROSPECT  
HORSESHOE BAY, TX 78657  
LOT 20025

EVERVIEW HOMES

DESIGNER:  
J EDWARDS  
HOME DESIGNS  
JULIE EDWARDS  
210.649.8843  
JEDWARDSHOMES@GMAIL.COM

DATE:  
5/11/2021

SCALE:  
1/4" = 1'

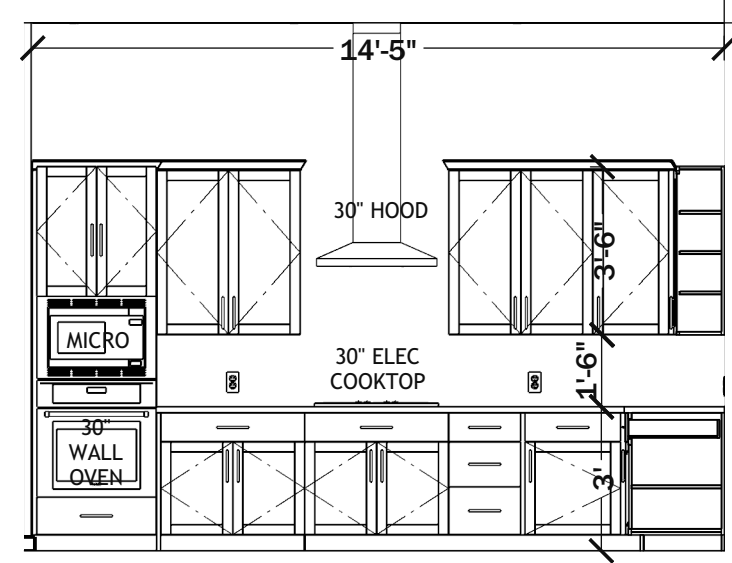
SHEET:

6

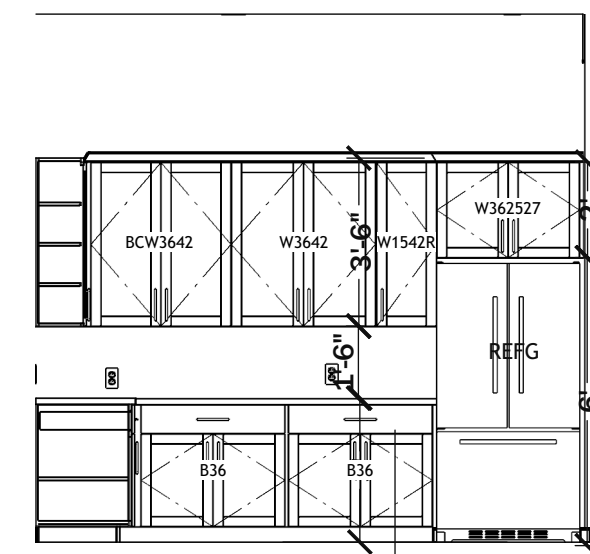
**COPYRIGHT INFORMATION:**

J EDWARDS HOME DESIGNS PRODUCTS AND SERVICES ARE PROTECTED BY UNITED STATES COPYRIGHT LAW AND INTERNATIONAL TREATY PROVISIONS. ANY REPRODUCTIONS OR MODIFICATIONS BY MEANS NOW KNOWN OR IN THE FUTURE, WITHOUT THE EXPRESS WRITTEN CONSENT OF J EDWARDS HOME DESIGNS IS STRICTLY PROHIBITED. BY PURCHASING PLANS FROM J EDWARDS HOME DESIGNS YOU ARE GRANTED THE RIGHT TO BUILD THAT HOME ONE TIME (UNLESS OTHERWISE STATED). ONLY THE ORIGINAL PURCHASER HAS THE RIGHT TO BUILD ONE HOME FROM THE PLANS PURCHASED, YOU MAY NOT RENT, LEASE, LOAN, GIVE, TRANSFER OR SELL THE PLANS. A CLIENT MAY PURCHASE PLANS FOR A BUILDER TO BUILD A HOME FOR THE CLIENT.

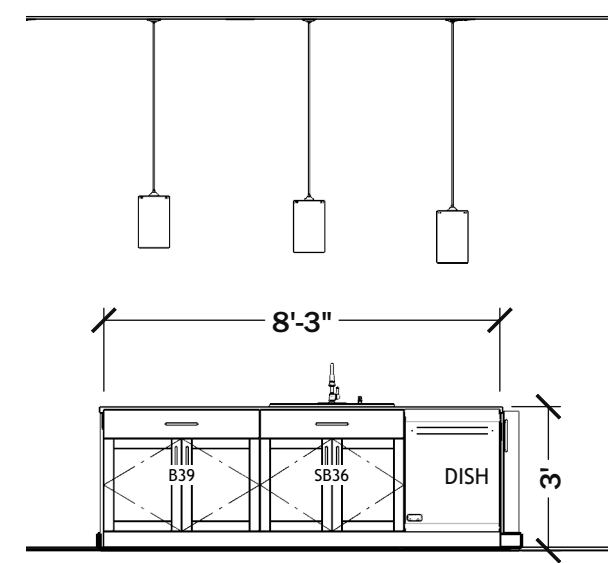
THESE DRAWINGS/SPECS ARE INSTRUMENTS OF SERVICE AND SHALL REMAIN THE PROPERTY OF THE DESIGNER WHETHER THE PROJECT IS EXECUTED OR NOT. THESE DRAWINGS SHALL NOT BE USED BY THE CLIENT FOR OTHER PROJECTS, FOR ADDITIONS TO THIS PROJECT, OR FOR COMPLETION OF THIS PROJECT BY OTHERS WITHOUT PERMISSION OF THIS DESIGNER.



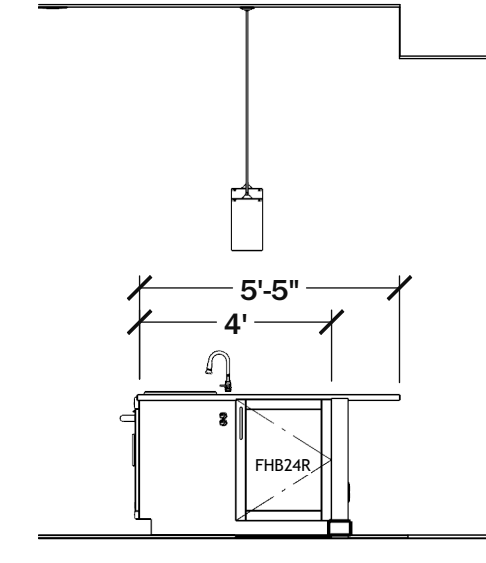
**KITCHEN**



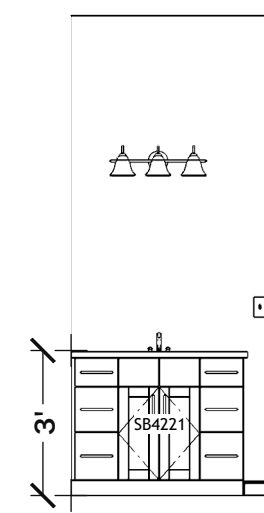
**KITCHEN**



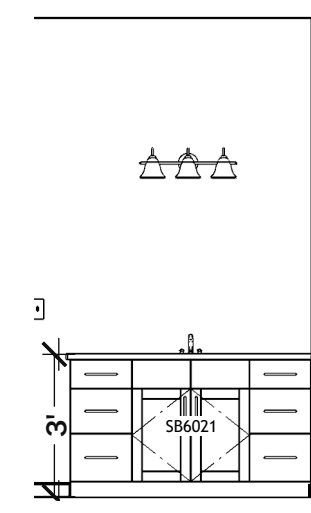
**KITCHEN ISLAND**



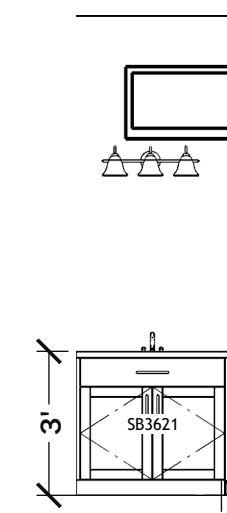
**KITCHEN ISLAND**



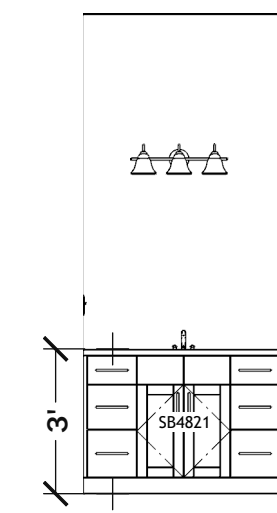
**MASTER BATH**



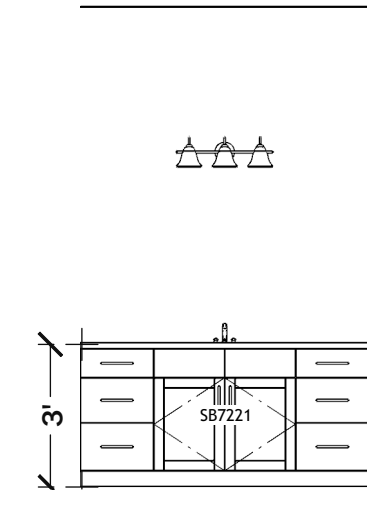
**MASTER BATH**



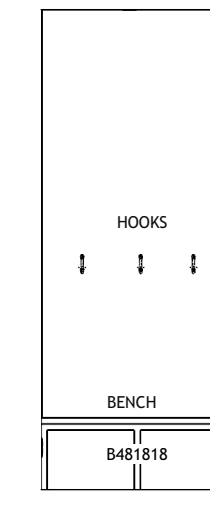
**POWDER**



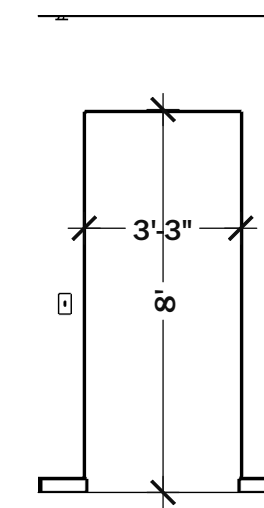
**BATH 2**



**BATH 3**



**MUD**



**INTERIOR DOORWAYS**

**FINAL**

**EVERVIEW**  
H O M E S

BUILDER:

1315 PROSPECT  
HORSESHOE BAY, TX 78657  
LOT 20025

**EVERVIEW HOMES**

DESIGNER:  
**J EDWARDS**  
HOME DESIGNS  
JULIE EDWARDS  
210.649.8843  
JEDWARDS@EVERVIEWHOMES.COM

DATE:

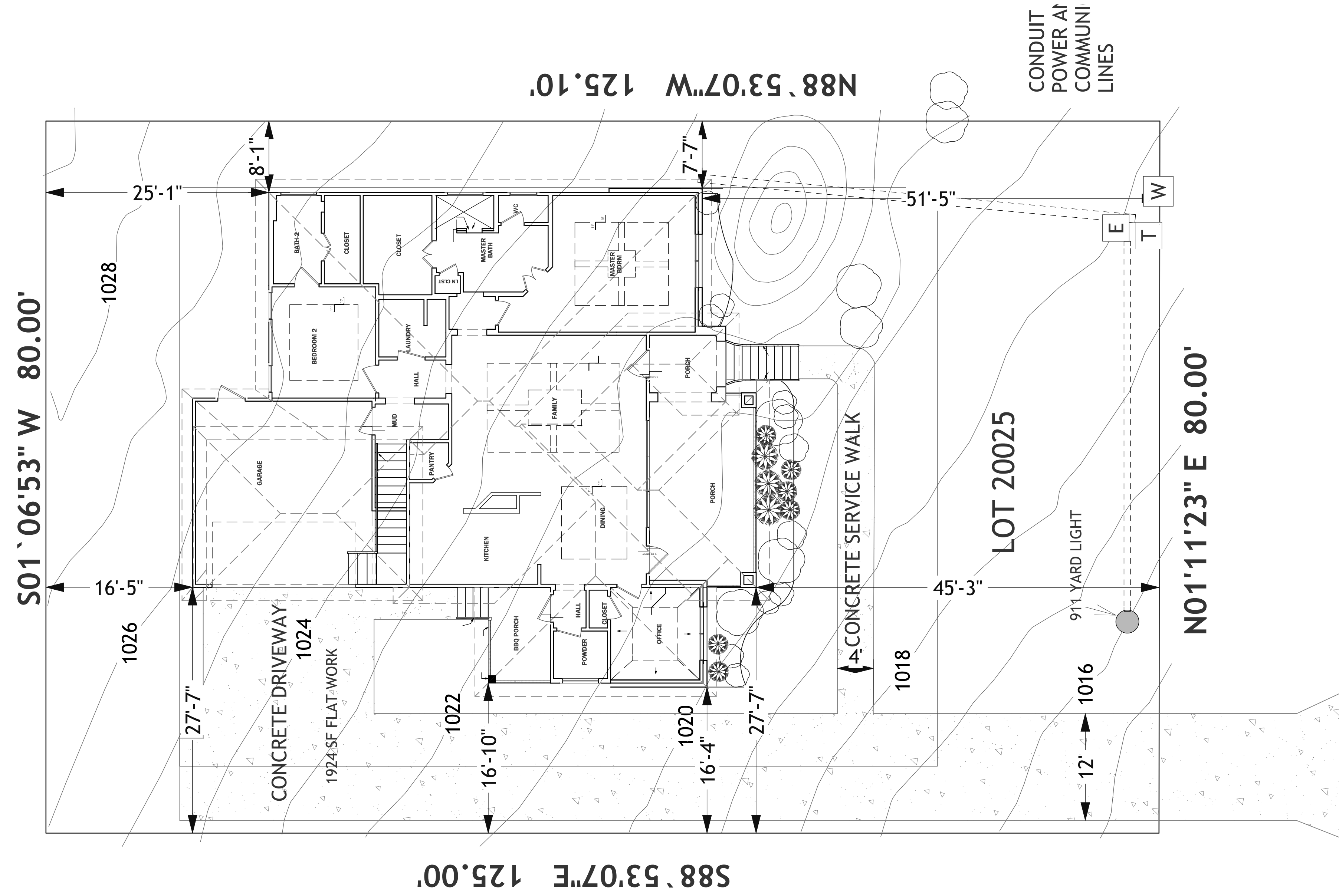
5/11/2021

SCALE:

1/4" = 1'

SHEET:

7



SITE PLAN  
SCALE 1/8" = 1'

COPYRIGHT INFORMATION:

J EDWARDS HOME DESIGNS PRODUCTS AND SERVICES ARE PROTECTED BY UNITED STATES COPYRIGHT LAW AND INTERNATIONAL TREATY PROVISIONS. ANY REPRODUCTIONS OR MODIFICATIONS BY MEANS NOW KNOWN OR IN THE FUTURE, WITHOUT THE EXPRESS WRITTEN CONSENT OF J EDWARDS HOME DESIGNS IS STRICTLY PROHIBITED. BY PURCHASING PLANS FROM J EDWARDS HOME DESIGNS YOU ARE GRANTED THE RIGHT TO BUILD THAT HOME ONE TIME (UNLESS OTHERWISE STATED). ONLY THE ORIGINAL PURCHASER HAS THE RIGHT TO BUILD ONE HOME FROM THE PLANS PURCHASED. YOU MAY NOT RENT, LEASE, LOAN, GIVE, TRANSFER OR SELL THE PLANS. A CLIENT MAY PURCHASE PLANS FOR A BUILDER TO BUILD A HOME FOR THE CLIENT.

THESE DRAWINGS/SPECS ARE INSTRUMENTS OF SERVICE AND SHALL REMAIN THE PROPERTY OF THE DESIGNER WHETHER THE PROJECT IS EXECUTED OR NOT. THESE DRAWINGS SHALL NOT BE USED BY THE CLIENT FOR OTHER PROJECTS, FOR ADDITIONS TO THIS PROJECT, OR FOR COMPLETION OF THIS PROJECT BY OTHERS WITHOUT PERMISSION OF THIS DESIGNER.

PROSPECT  
50' ROW

FINAL

EVERVIEW  
HOMES

BUILDER:

1315 PROSPECT  
HORSESHOE BAY, TX 78657  
LOT 20025

EVERVIEW HOMES

DESIGNER:  
J EDWARDS  
HOME DESIGNS  
JULIE EDWARDS  
210.649.8843  
JEDWARDSHOMES@GMAIL.COM

DATE:  
5/11/2021

SCALE:  
1/4" = 1'

SHEET:

8